



SATE-LITE
Safety at the Speed of Light

Sate-Lite(Foshan)Plastics Co.,Ltd.
www.satelitebikelight.com

E-BIKE & BICYCLE LIGHTS



ABOUT US

Sate-Lite (Foshan) Plastics Co., Ltd. wholly-owned by Deflect-o LLC from United States, is a leading producing manufacturer safety products, bike reflectors and bike lights. Sate-Lite's customers come from North America, Europe, Asia, Australia and other places covering more than 70 countries and regions. We possess an advanced optical product development team and premium optical detection equipments so that we are capable of manufacturing different products conforming to the international safety standards. Meanwhile, customers' needs can be satisfied in different markets.



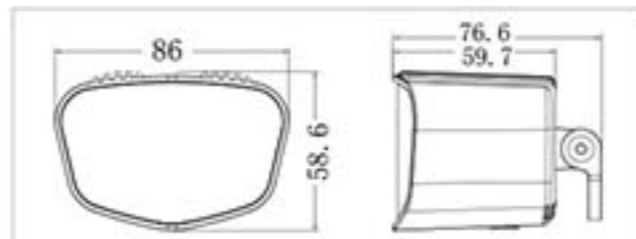
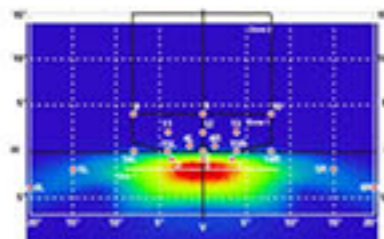
CONTENTS

| | |
|-------------------------------|-------|
| E-bike & Bicycle Front Lights | 01-20 |
| E-bike & Bicycle Rear Lights | 21-28 |
| Product List | 29-35 |
| Bike Lights Mount | 37-38 |

E-bike & Bicycle Front Lights

SPL-01

| | |
|-----------------------|---------------------|
| Low beam | 540lm, 110lux |
| Wattage low beam | 8.6W |
| High beam | 1890lm, 385lux |
| Wattage high beam | 30.8W |
| Daytime running light | 40 Power LEDs |
| Wattage | 3.6 W |
| Input voltage | 6V-58V DC |
| Communication | n/a |
| Signal processing | High beam, Low beam |
| Approvals | CE, Rohs |
| LED types | 9 automotive LEDs |
| L x W x H | 86 x 59 x 76mm |
| Weight | 210g |
| Color | Matting black |



SPL-01 ECE Version

| | |
|-----------------------|-----------------------------|
| Low beam | 180lux |
| Wattage low beam | 8.6W |
| Daytime running light | 40 Power LEDs |
| Wattage | 3.6 W |
| Input voltage | 6V-58V DC |
| Communication | n/a |
| Signal processing | Low beam |
| Approvals | ECE R113, ECE R87, CE, Rohs |
| LED types | 3 automotive LEDs |
| L x W x H | 86 x 59 x 76mm |
| Weight | 210g |
| Color | Matting black |

SPL-01 StVZO Version

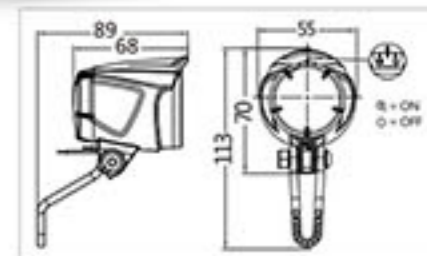
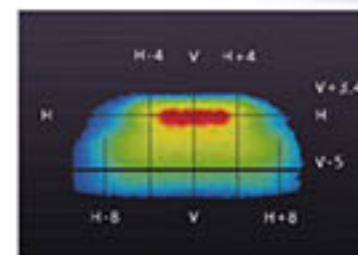
| | |
|-----------------------|-------------------|
| Low beam | 100lux |
| Wattage low beam | 8.6W |
| Daytime running light | 40 Power LEDs |
| Wattage | 3.6 W |
| Input voltage | 6V-58V DC |
| Communication | n/a |
| Signal processing | Low beam |
| Approvals | CE, Rohs |
| LED types | 3 automotive LEDs |
| L x W x H | 86 x 59 x 76mm |
| Weight | 210g |
| Color | Matting black |

C1

| | |
|--------------------------|-------------------------------------|
| Bike Light Certification | StVZO, ISO 6742-1, ECE, CE and Rohs |
| Reflector Certification | StVZO, ECE, Rohs |
| Power Supply | Hub dynamo/Ebike/Escooter |
| Visibility | 70m |
| LED Specification | CREE XP E2 |
| Luminous Intensity | 40 lux |
| Voltage | 6V-48V |
| Waterproof | IPX5 |
| Material | ABS, PMMA, Aluminum |
| Weight | 95g |
| Dimension | 55x89x113 mm |
| Cable Length | 1/1.2/2m |
| Wattage | 1.2W |



40 LUX

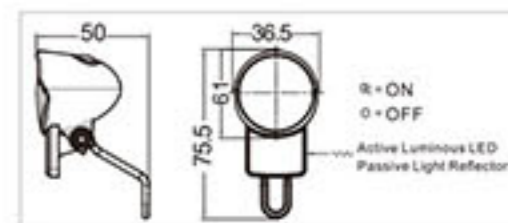
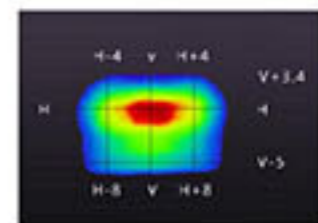


C2

| | |
|--------------------------|-------------------------------------|
| Bike Light Certification | StVZO, ISO 6742-1, ECE, CE and Rohs |
| Reflector Certification | StVZO, ISO 6742-2, ECE, Rohs |
| Power Supply | Hub dynamo/Ebike/Escooter |
| Visibility | 35m |
| LED Specification | CREE XPC |
| Luminous Intensity | 15 lux |
| Voltage | 6V-48V |
| Waterproof | IPX4 |
| Material | ABS, PMMA, Aluminum |
| Weight | 35g |
| Dimension | 36.5x50x75.5mm |
| Cable Length | 1/1.2/2m |
| Wattage | 1W |



15 LUX

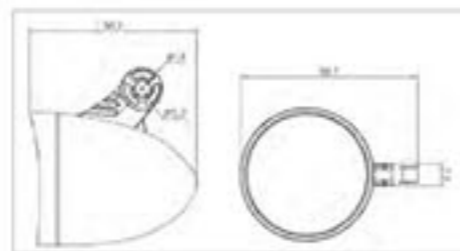
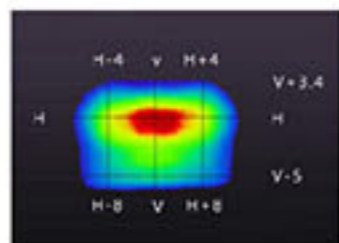


C3

| | |
|--------------------|-------------------|
| Power Supply | Hub dynamo/Ebike |
| Visibility | 150m |
| LED Model | XPE2 |
| Luminous Intensity | 15 lux |
| Voltage | 6V-48V |
| Material | ABS,PMMA,Aluminum |
| Weight | 33g |
| Dimension | 45x59x59mm |
| Cable Length | 1/1.2/2m |
| Optional port | 110/SM |
| Wattage | 0.8W |



15 LUX

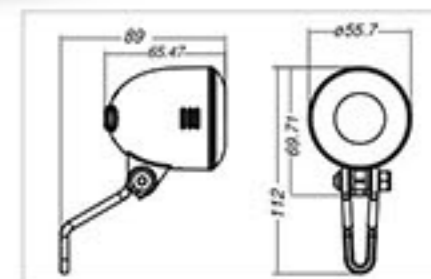
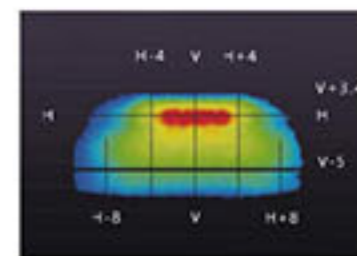


C4

| | |
|--------------------|---------------------------|
| Certification | StVZO, CE, RoHS |
| Power Supply | Hub dynamo/Ebike/Escooter |
| Visibility | 150m |
| LED Model | XPE2 |
| Luminous Intensity | 40 lux |
| Waterproof | IPX5 |
| Voltage | 6V-48V |
| Material | ABS,PMMA,Aluminum |
| Weight | 70g |
| Dimension | 112x89x55.7mm |
| Cable Length | 1/1.2/2m |
| Optional port | 110/SM |
| Wattage | 1.2W |



40 LUX

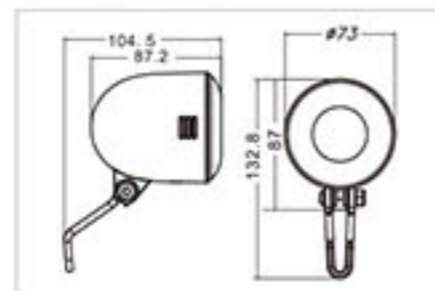
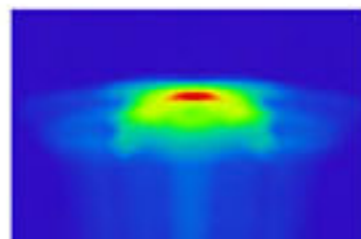


C5

| | |
|--------------------|-------------------|
| Certification | StVZO, CE, RoHS |
| Power Supply | Ebike/Escooter |
| Visibility | 150m |
| LED Model | 6 LED |
| Luminous Intensity | 70 lux |
| Waterproof | IPX5 |
| Voltage | 12V-48V |
| Material | ABS,PMMA,Aluminum |
| Weight | 135g |
| Dimension | 104.5x132.8x73mm |
| Cable Length | 1/1.2/2m |
| Wattage | 4W |



70 LUX



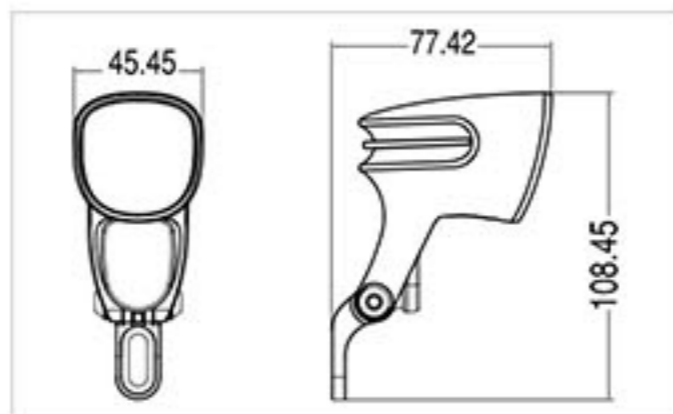
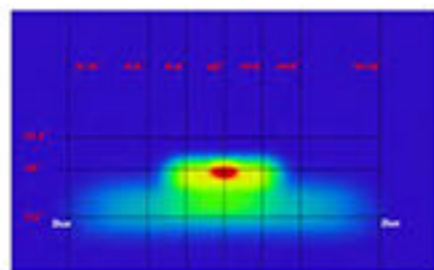
C7

| | |
|--------------------------|---------------------------|
| Bike Light Certification | ECE, CE and Rohs |
| Reflector Certification | ECE |
| Power Supply | Hub dynamo/Ebike/Escooter |
| Visibility | 35m |
| LED Specification | OSRAM LED |
| Luminous Intensity | 60 lux |
| Voltage | 6V-58V |
| Waterproof | IPX5 |
| Material | ABS, PMMA, Aluminum |
| Weight | 70g |
| Dimension | 45x77x108mm |
| Cable Length | 1/1.2/2m |
| Wattage | 1.8W |



60 LUX

NEW

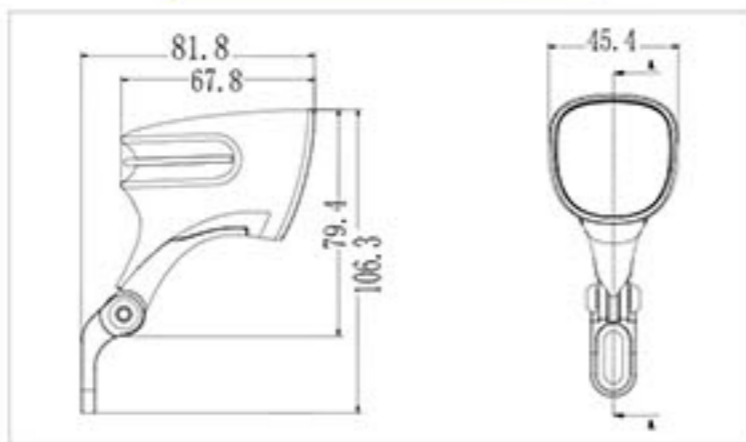
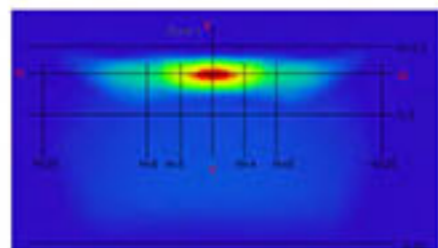


80 LUX

NEW

C7 Plus

| | |
|--------------------|---------------------|
| Certification | ECE, CE and Rohs |
| Power Supply | Ebike/Escooter |
| Visibility | 35m |
| LED Specification | OSRAM LED |
| Luminous Intensity | 80 lux |
| Voltage | 12V-58V |
| Waterproof | IPX5 |
| Material | ABS, PMMA, Aluminum |
| Weight | 70g |
| Dimension | 45.4x81.8x106.3mm |
| Cable Length | 1/1.2/2m |
| Wattage | 3W |





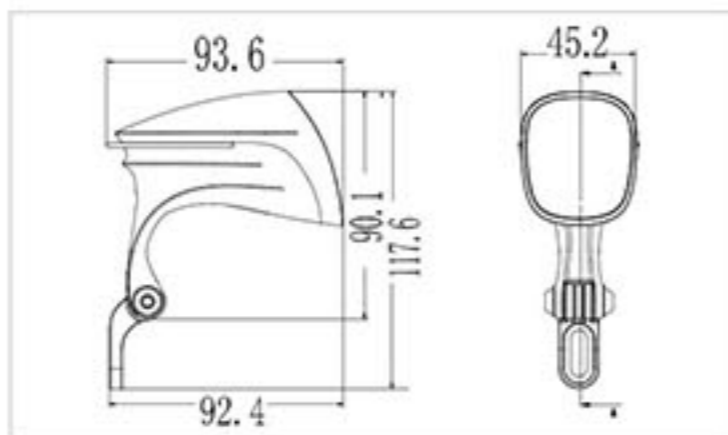
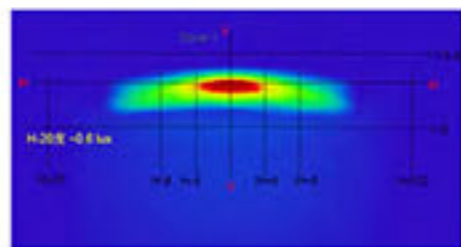
C7 Super

| | |
|--------------------|---------------------|
| Certification | ECE, CE and Rohs |
| Power Supply | Ebike/Escooter |
| Visibility | 35m |
| LED Specification | OSRAM LED |
| Luminous Intensity | 110 lux |
| Voltage | 12V-58V |
| Waterproof | IPX5 |
| Material | ABS, PMMA, Aluminum |
| Weight | 70g |
| Dimension | 45.2x93.6x117.6mm |
| Cable Length | 1/1.2/2m |
| Wattage | 3.5W |



110 lux

NEW



C8

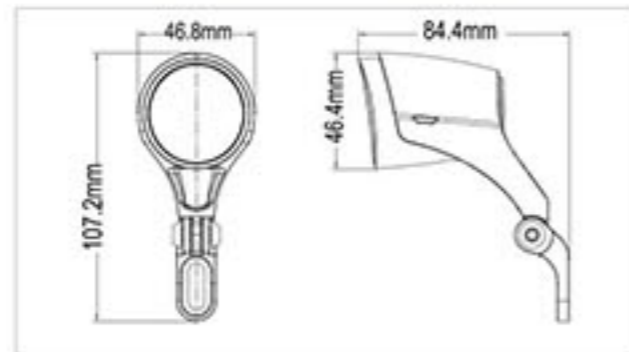
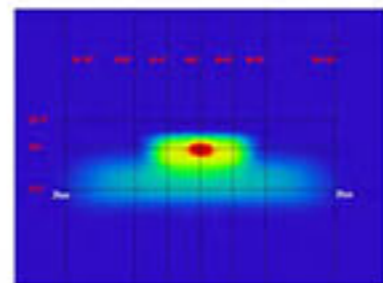
| | |
|--------------------|---------------------------|
| Certification | ECE, CE and Rohs |
| Power Supply | Hub dynamo/Ebike/Escooter |
| Visibility | 35m |
| LED Specification | OSRAM LED |
| Luminous Intensity | 60 lux |
| Voltage | 6V-58V |
| Waterproof | IPX5 |
| Material | ABS, PMMA, Aluminum |
| Weight | 70g |
| Dimension | 46.8x84.4x107.2mm |
| Cable Length | 1/1.2/2m |
| Wattage | 1.8W |



60 lux



NEW



C9

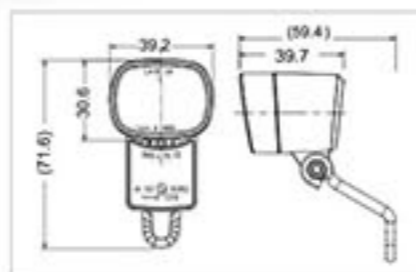
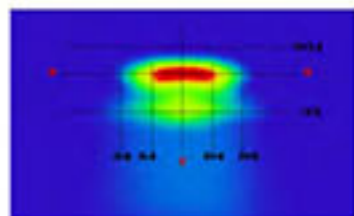
| | |
|--------------------------|-------------------------------------|
| Bike Light Certification | StVZO, ISO 6742-1, ECE, CE and Rohs |
| Reflector Certification | StVZO, ISO 6742-2, ECE, Rohs |
| Power Supply | Ebike/Escooter |
| Visibility | 35m |
| LED Specification | OSRAM LED |
| Luminous Intensity | 30 lux |
| Voltage | 6V-58V |
| Waterproof | IPX6 |
| Material | ABS, PMMA, Aluminum |
| Weight | 50g |
| Dimension | 39.2x30.6x41.2mm |
| Cable Length | 1/1.2/2m |
| Wattage | 1.8W |



30 lux



NEW



C6

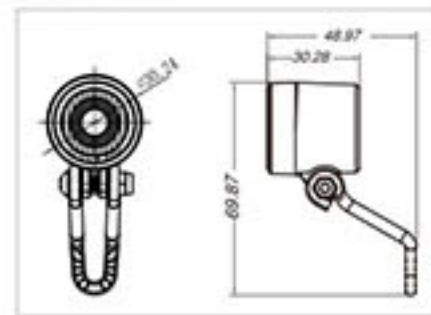
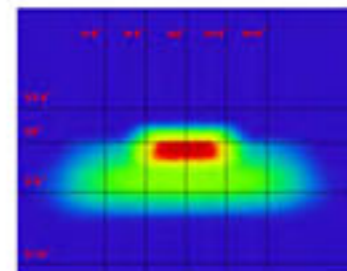
| | |
|--------------------------|--------------------------------|
| Bike Light Certification | StVZO, ISO 6742-1, CE and Rohs |
| Reflector Certification | StVZO, ISO 6742-2, ECE, Rohs |
| Power Supply | Hub dynamo/Ebike/Escooter |
| Visibility | 35m |
| LED Specification | OSRAM LED |
| Luminous Intensity | 20 lux |
| Voltage | 6v-58v |
| Waterproof | IPX6 |
| Material | ABS, PMMA, Aluminum |
| Weight | 30g |
| Dimension | 26x49x70mm |
| Cable Length | 1/1.2/2m |
| Wattage | 1.2W |



20 lux



NEW

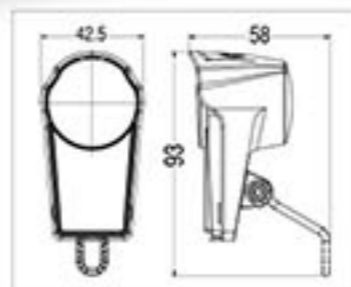
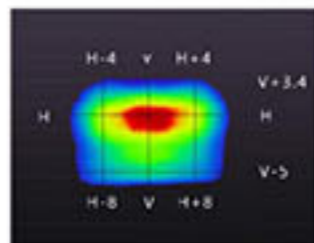


G1

| | |
|--------------------------|---------------------------|
| Bike Light Certification | StVZO, ECE, CE and Rohs |
| Reflector Certification | StVZO, ECE, Rohs |
| Power Supply | Hub dynamo/Ebike/Escooter |
| Visibility | 35m |
| LED Model | CREE XPC |
| Luminous Intensity | 15 lux |
| Waterproof | IPX4 |
| Voltage | 6V-48V |
| Material | ABS, PMMA, Aluminum |
| Weight | 48g |
| Dimension | 42.5x58x93mm |
| Cable Length | 1/1.2/2m |
| Optional port | 110/SM |
| Wattage | 1.1W |



15 Lux

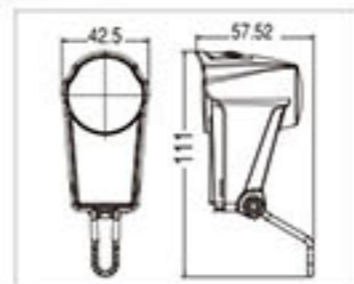
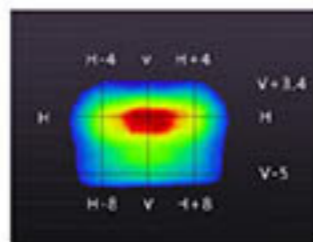


G1B

| | |
|--------------------------|---------------------|
| Bike Light Certification | CE, RoHS |
| Reflector Certification | StVZO, ECE, Rohs |
| Visibility | 35m |
| Duration time | 3h/9h |
| LED Model | CREE XPC |
| Luminous Intensity | 15 lux |
| Waterproof | IPX4 |
| Batteries | 2*AA 1.5v Zn-Mn |
| Material | ABS, PMMA, Aluminum |
| Weight | 95g |
| Dimension | 42.5x58x111mm |
| Wattage | 0.6W |



15 Lux



E-bike & Bicycle Rear Lights

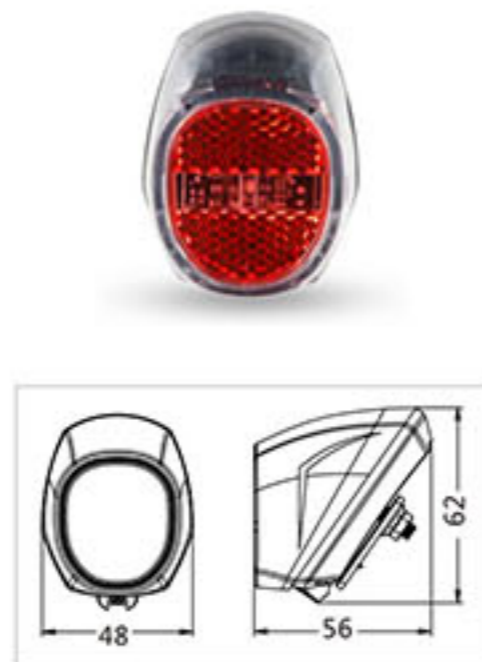
Solar1-W

| | |
|--|---------------------------------------|
| Bike Light Certification | BS, ISO6742-1, AS, GB |
| Reflector Certification | ECE, Rohs |
| Life Time | 10h |
| Visible Distance | 200m |
| Viewing Angle | 320° |
| LED Model | RED LED*2 |
| Battery (solar panels) the number of specifications | 40mAh |
| Switch function options | Auto Flash |
| Backer Option | Mudguard/ Seatpost Saddle / Seat Stay |
| Material | ABS, PMMA |
| Weight | 59g |
| Dimension | 62x56x48mm |



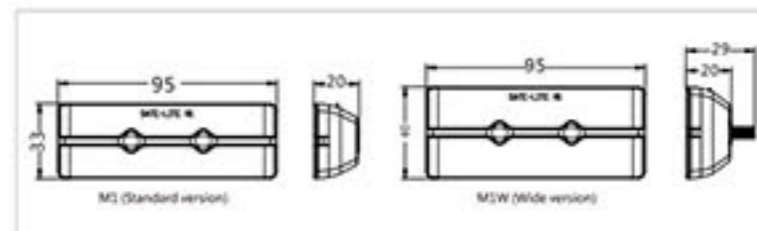
Solar1-K

| | |
|--|---------------------------------------|
| Bike Light Certification | ISO6742-1 |
| Reflector Certification | ISO6742-2, ECE, Rohs |
| Visible Distance | 500m |
| Viewing Angle | 320° |
| LED Model | 1* CREE CIM2D |
| Battery (solar panels) the number of specifications | 110mAh Nih Battery |
| Switch function options | Auto on |
| Backer Option | Mudguard/ Seatpost Saddle / Seat Stay |
| Power | 110mAh |
| Material | ABS, PMMA |
| Weight | 59g |
| Dimension | 62x56x48mm |



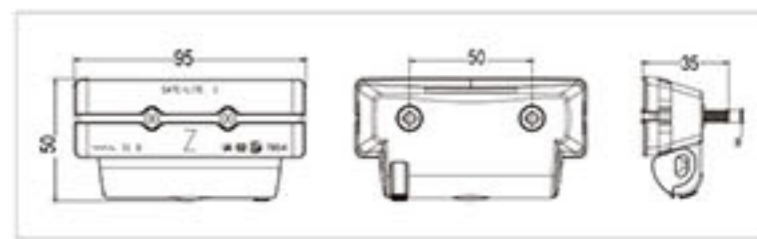
M1

| | |
|--------------------------|-------------------------|
| Bike Light Certification | StVZO, ECE, CE and Rohs |
| Reflector Certification | Z, StVZO, ECE |
| Power Supply | Hub dynamo/Ebike |
| Waterproof Rating | IPX5 |
| Viewing Angle | 220° |
| LED Model | CREE LED |
| Backer Option | 50mm/80mm |
| Voltage | 6V-48V |
| Power | 0.5W |
| Material | ABS, PMMA |
| Weight | 34g |
| Cable Length | 1/1.2/2 m |
| Dimension | 95x33x20 mm |



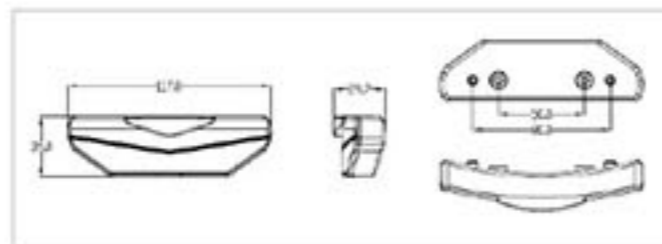
M1B

| | |
|--------------------------|--------------------------------|
| Bike Light Certification | CE, RoHS |
| Reflector Certification | StVZO, ECE |
| Waterproof Rating | IPX4 |
| Viewing Angle | 220° |
| LED Model | 2*50mA CREE |
| Battery | 1*AA |
| Width | 33mm |
| Switch Function Options | On/ Flash/ Auto/ Off |
| Backer Option | 50mm Carrier/ Seatpost/ Saddle |
| Life Time | 5h/12h |
| Material | ABS, PMMA |
| Weight | 66g |
| Dimension | 95x50x35 mm |
| Wattage | 0.3W |



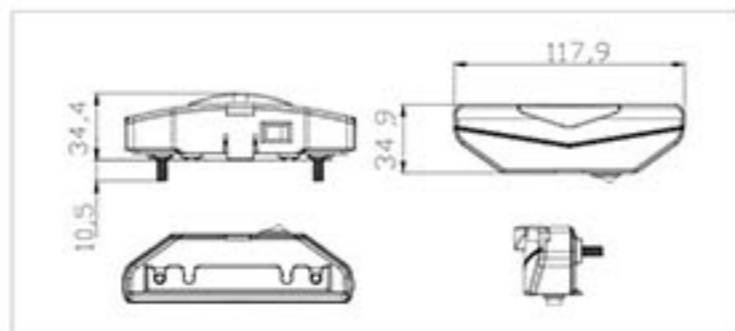
M2

| | |
|--------------------------|-----------------------------|
| Bike Light Certification | StVZO, CE, RoHS, ECE, TPRBi |
| Reflector Certification | Z, ECE |
| Power Supply | Hub dynamo/Ebike |
| Waterproof Rating | IPX4 |
| Viewing Angle | 220° |
| LED Model | CREE CIM2B-REW |
| Backer Option | 50mm/80mm |
| Voltage | 6V-48V |
| Power | 0.4W |
| Material | ABS, PMMA |
| Weight | 32g |
| Cable Length | 1/1.2/2 m |
| Dimension | 118x35x30 mm |



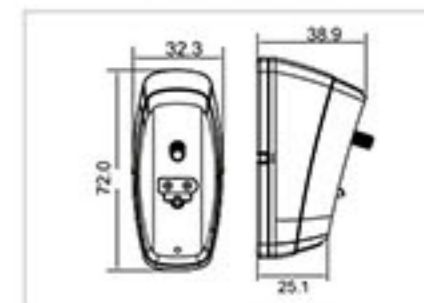
M2B

| | |
|--------------------------|------------------|
| Bike Light Certification | ECE, CE and Rohs |
| Reflector Certification | Z, ECE, TPRBi |
| Power Supply | Hub dynamo/Ebike |
| Waterproof Rating | IPX4 |
| Viewing Angle | 220° |
| LED Model | 1xCREE CIM2D-REW |
| Backer Option | 50mm/80mm |
| Voltage | 2*AAA 1.5V |
| Power | 0.2W |
| Material | ABS, PMMA |
| Weight | 51g |
| Cable Length | 1/1.2/2 m |
| Dimension | 118x35x35 mm |



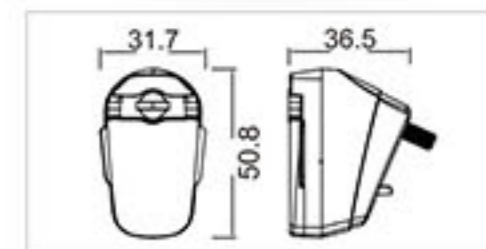
M3

| | |
|--------------------------|-----------------------------|
| Bike Light Certification | StVZO, ISO 6742-1, CE, RoHS |
| Reflector Certification | StVZO, Z, ECE |
| Power Supply | Hub dynamo/Ebike/Escooter |
| Waterproof Rating | IPX4 |
| Viewing Angle | 220° |
| LED Model | CREE CIM2D-RRC |
| Visible Distance | 600m |
| Voltage | 6V-48V |
| Power | 0.4W |
| Material | ABS, PMMA |
| Weight | 30g |
| Cable Length | 1/1.2/2 m |
| Dimension | 72x32x38.9 mm |



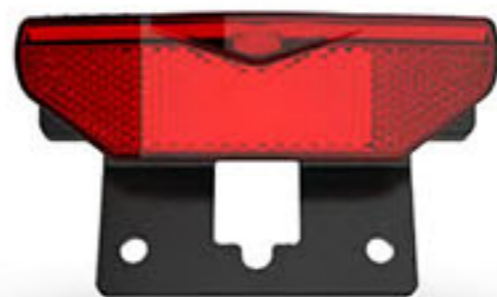
M4

| | |
|--------------------------|-----------------------------|
| Bike Light Certification | StVZO, ISO6742-1, CE, RoHS, |
| Reflector Certification | ISO6742-2, ECE, Z, |
| Power Supply | Hub dynamo/Ebike/Escooter |
| Waterproof Rating | IPX4 |
| Viewing Angle | 220° |
| LED Model | CREE CIM2D-RRC |
| Visible Distance | 500m |
| Voltage | 6V-48V |
| Power | 0.4W |
| Material | ABS, PMMA |
| Weight | 23g |
| Cable Length | 1/1.2/2 m |
| Dimension | 51x32x45 mm |

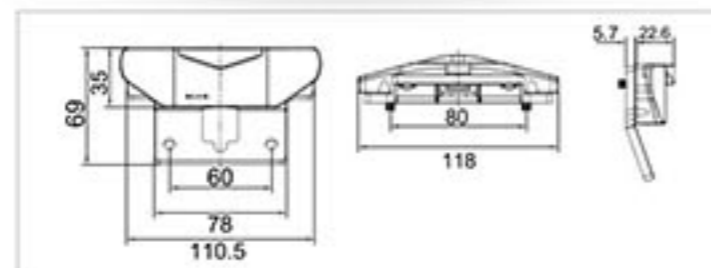


M6

| | |
|--------------------------|-----------------------------|
| Bike Light Certification | GB/T31887.1-2019,ISO 6724-1 |
| Reflector Certification | GB/T31887.1-2019,ISO 6724-2 |
| Power Supply | Ebike |
| Waterproof Rating | IPX4 |
| Viewing Angle | 220° |
| LED Model | CREE LED |
| Voltage | 6-58V |
| Power | 0.5W |
| Material | ABS,PMMA |
| Weight | 32g |
| Cable Length | 1/1.2/2 m |
| Dimension | 118x28.3x69 mm |



NEW

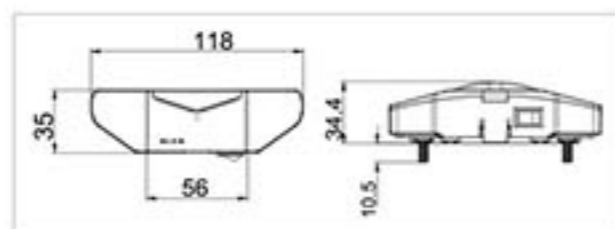


M6B

| | |
|--------------------------|-----------------------------|
| Bike Light Certification | GB/T31887.1-2019,ISO 6742-1 |
| Reflector Certification | GB/T31887.1-2019,ISO 6724-2 |
| Power Supply | Ebike |
| Waterproof Rating | IPX4 |
| Viewing Angle | 220° |
| Battery | AAA Batteries |
| LED Model | CREE LED |
| Voltage | 3V |
| Power | 0.15W |
| Material | ABS,PMMA |
| Weight | 74g |
| Dimension | 118x34.4x35 mm |



NEW

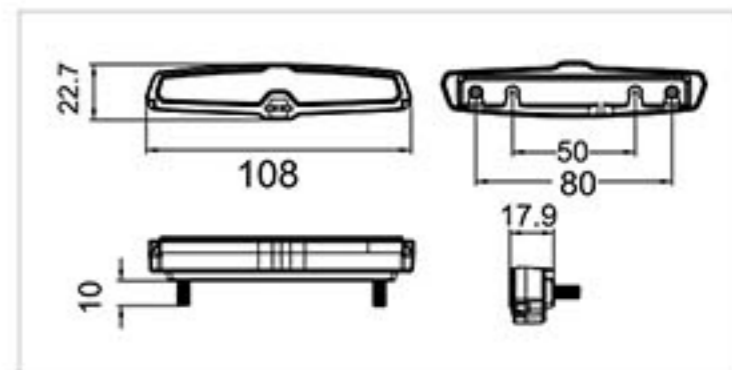


M8

| | |
|--------------------------|------------------|
| Bike Light Certification | CE and Rohs |
| Reflector Certification | - |
| Power Supply | Hub dynamo/Ebike |
| Waterproof Rating | IPX6 |
| Viewing Angle | 220° |
| LED Model | CREE LED |
| Backer Option | 50mm/80mm |
| Voltage | 6-58V |
| Power | 0.5W |
| Material | ABS,PMMA |
| Weight | 24g |
| Dimension | 108x17.9x22.7mm |

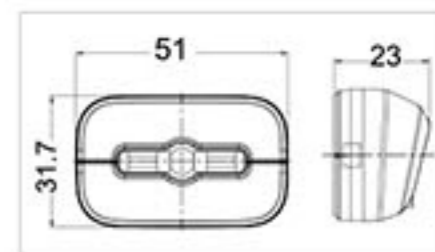


NEW



LR-09

| | |
|--------------------------|-----------------------------------|
| Bike Light Certification | SIVZO,ISO 6742-1,ECE R50,CE, RoHS |
| Reflector Certification | SIVZO,ISO 6742-2,Z,ECE |
| Waterproof Rating | IPX6 |
| Viewing Angle | 220° |
| Luminous Intensity | 6/45 |
| Material | ABS,PMMA |
| Weight | 25g |
| Power Supply | E-Bike/Escooter DC 6-48V |
| Dimension | 51x31.7x23 mm |
| LED Specification | CREE LED |
| Power | 1.2W |



E-bike & Bicycle
Front Lights



| | SPL-01 | SPL-01 (ECE Verssion) | SPL-01 (StVZO Verssion) | C1 | C2 | C3 | C4 | C5 |
|--------------------------|--------------------|------------------------------|--------------------------------|----------------------------------|----------------------------------|--------------------|--------------------|--------------------|
| Light Certificates | CE,Rohs | ECER113,ECER87,CE,Rohs | CE,Rohs | StVZO,ISO 6742-1,ECE,CE and Rohs | StVZO,ISO 6742-1,ECE,CE and Rohs | - | StVZO,CE,Rohs | StVZO,CE,Rohs |
| Reflector Certificate | - | - | - | StVZO,ECE,Rohs | StVZO,ISO 6742-2,ECE,Rohs | - | - | - |
| Lux | 540lux/110lux | 180lux | 100lux | 40 lux | 15 lux | 15 lux | 40 lux | 70 lux |
| Waterproof | IPX5 | IPX5 | IPX5 | IPX5 | IPX4 | IPX5 | IPX5 | IPX5 |
| Input Voltage | 6-58V | 6-58V | 6-58V | 6-48V | 6-48V | 6V-48V | 6-48V | 12-48V |
| LED Specification | CREE LED | CREE LED | CREE LED | CREE LED | CREE LED | CREE LED | CREE LED | CREE LED |
| Power | 3.6W | 3.6W | 3.6W | 1.2W | 1W | 0.8W | 1.2w | 4w |
| Mounting Option | Handlebar | Handlebar | Handlebar | Fork,Handlebar | Fork,Handlebar | Fork | Fork,Handlebar | Fork,Handlebar |
| Side Visibility | NO | NO | NO | NO | NO | NO | YES | YES |
| Weight | 210g | 210g | 210g | 95g | 35g | 33g | 70g | 135g |
| Size | 86x59x76mm | 86x59x76mm | 86x59x76mm | 55x89x113mm | 36.5x50x75.5mm | 45x59x59mm | 112x89x58mm | 104.5x132.8x73mm |
| Material | ABS,PMMA,Aluminium | ABS,PMMA,Aluminium | Aluminium,PMMA | ABS,PMMA,Aluminium | ABS,PMMA,Aluminium | ABS,PMMA,Aluminium | ABS,PMMA,Aluminium | ABS,PMMA,Aluminium |
| Close range illumination | NO | NO | NO | NO | NO | NO | NO | YES |



| | C6 | C7 | C7 Plus | C7 Super | C8 | C9 | G1 | G1B |
|---------------------------------|------------------------------|--------------------|--------------------|--------------------|--------------------|----------------------------------|-----------------------|--------------------|
| Light Certificates | StVZO,ISO 6742-1,CE and Rohs | ECE,CE and Rohs | ECE,CE and Rohs | ECE,CE and Rohs | ECE,CE and Rohs | StVZO,ISO 6742-1,ECE,CE and Rohs | StVZO,ECE,CE and Rohs | CE and Rohs |
| Reflector Certificate | StVZO,ISO 6742-2,ECE,Rohs | ECE | - | - | - | StVZO,ISO 6742-2,ECE,Rohs | StVZO,ECE,Rohs | StVZO,ECE,Rohs |
| Lux | 20 lux | 60 lux | 80 lux | 110 lux | 60 lux | 30 lux | 15 lux | 15 lux |
| Waterproof | IPX6 | IPX5 | IPX5 | IPX5 | IPX5 | IPX6 | IPX4 | IPX4 |
| Input Voltage | 6-58V | 6-58V | 12-58V | 12-58V | 6-58V | 6-58V | 6-48V | 6-48V |
| LED Specification | OSRAM LED | OSRAM LED | OSRAM LED | OSRAM LED | OSRAM LED | OSRAM LED | CREE LED | CREE LED |
| Power | 1.2W | 1.8W | 3W | 3.5W | 1.8W | 1.8W | 1.1W | 2W |
| Mounting Option | Fork,Handlebar | Fork | Fork | Fork | Fork | Fork,Handlebar | Fork | Fork |
| Side Visibility | NO | YES | YES | YES | YES | NO | NO | NO |
| Weight | 30g | 70g | 70g | 70g | 70g | 50g | 48g | 95g |
| Size | 26x49x70mm | 45x77x108mm | 45.4x81.8x106.3mm | 45.2x93.6x117.6mm | 46.8x84.4x107.2mm | 39.2x30.6x41.2mm | 42.5x58x93mm | 42.5x58x111mm |
| Material | ABS,PMMA,Aluminium | ABS,PMMA,Aluminium | ABS,PMMA,Aluminium | ABS,PMMA,Aluminium | ABS,PMMA,Aluminium | ABS,PMMA,Aluminium | ABS,PMMA,Aluminium | ABS,PMMA,Aluminium |
| Close range illumination | NO | NO | YES | YES | NO | YES | NO | NO |

E-bike & Bicycle Rear Lights



| | Solar1-W | Solar1-K | M1 | M1B | M2 | M2B |
|-----------------------|--------------------|--------------------|-------------------|------------|--------------------------|-----------------|
| Light Certificates | BS,ISO6472-1,AS,GB | ISO6472-1 | StVZO,ECE,CE,Rohs | CE,Rohs | StVZO,CE,Rohs,ECE,TP RBI | ECE,CE and Rohs |
| Reflector Certificate | ECE,Rohs | ISO6472-2,ECE,Rohs | Z,StVZO,ECE | StVZO,ECE | Z, ECE | Z, ECE,TP RBI |
| Waterproof | - | - | IPX5 | IPX4 | IPX4 | IPX4 |
| Input Voltage | - | - | 6V-48V | 1.5V | 6V-48V | 6V-48V |
| LED Specification | RED LED*2 | CREE LED | CREE LED | CREE LED | CREE LED | CREE LED |
| Power | - | - | 0.5W | 0.3W | 0.4W | 0.2W |
| Mounting Option | Mud guard | Mud guard | Carrier,Seat post | Carrier | Carrier | Carrier |
| Viewing angle | 320° | 320° | 220° | 220° | 220° | 220° |
| Weight | 59g | 59g | 34g | 66g | 32g | 51g |
| Size | 62x56x48mm | 62x56x48mm | 95x33x20mm | 95x50x35mm | 118x35x30mm | 118x35x35mm |
| Material | ABS,PMMA | ABS,PMMA | ABS,PMMA | ABS,PMMA | ABS,PMMA | ABS,PMMA |



| | M3 | M4 | M6 | M6B | M8 | LR-09 |
|-----------------------|--------------------------|--------------------------|-----------------------------|-----------------------------|-----------------|----------------------------------|
| Light Certificates | StVZO,ISO 6742-1,CE,Rohs | StVZO,ISO 6742-1,CE,Rohs | GB/T31887.1-2019,ISO 6724-1 | GB/T31887.1-2019,ISO 6724-1 | CE and Rohs | StVZO,ISO 6724-1,ECE R50,CE,Rohs |
| Reflector Certificate | StVZO,Z,ECE | ISO 6742-2,ECE,Z | GB/T31887.1-2019,ISO 6724-2 | GB/T31887.1-2019,ISO 6724-2 | - | StVZO,ISO 6724-2,Z,ECE |
| Waterproof | IPX4 | IPX4 | IPX4 | IPX4 | IPX6 | IPX6 |
| Input Voltage | 6V-48V | 6V-48V | 6V-58V | 3V | 6V-58V | 6V-58V |
| LED Specification | CREE LED | CREE LED | CREE LED | CREE LED | CREE LED | CREE LED |
| Power | 0.4W | 0.4W | 0.5W | 0.15W | 0.5W | 1.2W |
| Mounting Option | Mud guard | Mud guard | Carrier | Carrier | Carrier | Mud guard |
| Viewing angle | 220° | 220° | 220° | 220° | 220° | 220° |
| Weight | 30g | 23g | 32g | 74g | 24g | 25g |
| Size | 72x32x38.9mm | 51x32x45mm | 118x28.3x69mm | 118x34.4x35mm | 118x17.9x22.7mm | 51x31.7x23mm |
| Material | ABS,PMMA | ABS,PMMA | ABS,PMMA | ABS,PMMA | ABS,PMMA | ABS,PMMA |



C1-66-SP



C2-88-SP



C1-AB



M1B-PV



99-SD78-00

Front Lights Mount

| | | | | | | |
|---------|---|---|---|---|---|---|
| SPL-01 | ✓ | | ✓ | | ✓ | |
| C1 | ✓ | | ✓ | | | |
| C2 | | ✓ | | | | ✓ |
| C4 | ✓ | | ✓ | | ✓ | |
| C5 | ✓ | | ✓ | | | |
| C6 | | ✓ | | | | ✓ |
| C7 | | | | ✓ | | |
| C7Plus | | | | ✓ | | |
| C7Super | | | | ✓ | | |
| C8 | | | | ✓ | | |
| C9 | | ✓ | | | | ✓ |
| G1 | | ✓ | | | | |
| G1B | | ✓ | | | | |

Rear Lights Mount

| | | |
|----------|---|---|
| Solar1-W | | ✓ |
| Solar1-K | | ✓ |
| M1 | ✓ | |
| M1B | ✓ | |
| M2 | | |
| M2B | ✓ | |
| M3 | | |
| M4 | | |
| M6 | ✓ | |
| M6B | ✓ | |
| M8 | ✓ | |
| LR-09 | | |

Safety at the Speed of Light

