

**SATE·LITE**  
Safety at the Speed of Light



Advanced Optical&Reflector Technology

**LED E-BIKE & BICYCLE LIGHTS**

Sate-Lite(Foshan)Plastics Co.,Ltd.

📍 LianFu 4<sup>th</sup> Road, Fu An Industrial Park, Leliu Town,  
Shunde District, Foshan City, Guangdong, China

☎ +86(0)757 2563\_1393 / 2533\_1588

🌐 [www.satelitebikelight.com](http://www.satelitebikelight.com)



## ABOUT US

Sate-Lite (Foshan) Plastics Co., Ltd. wholly-owned by Deflect-o LLC from United States, is a leading and safe reflectors , bike reflectors and bike lights. Deflecto-Sate-Lite Group was established in 1960, which headquarters in Indianapolis, Sate-Lite's customers come from North America, Europe, Asia, Australia and other places covering more than 70 countries and regions. We possess an advanced optical product development team and premium optical detection equipments so that we are capable of manufacturing different products conforming to the national safety standards. Meanwhile, customers' needs can be satisfied in different markets.



### Product Features

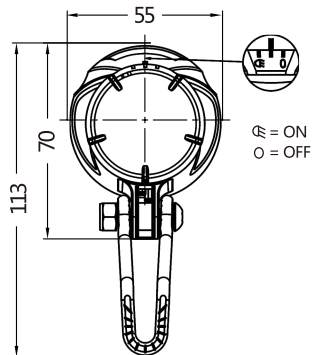
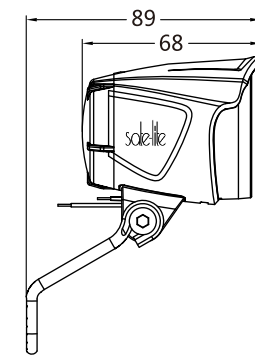
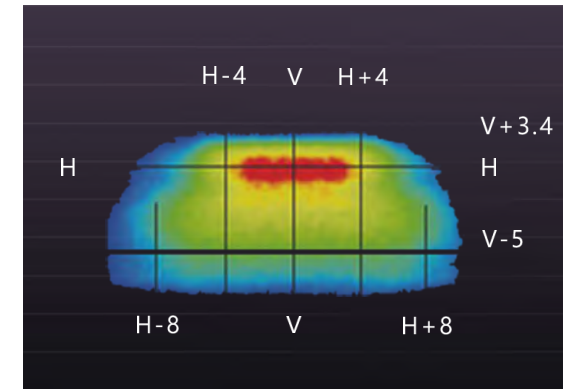
- Germany StVZO approval, E-mark
- Cree Led with anti-glare design
- Build-in Sate-lite reflector
- Two option mount

C1



### Product Specification

Model Number	C1
Certification	StVZO, ECE, CE and Rohs
Power Supply	Dynamo bottle/Hub dynamo/ebike/escooter
Visibility	70m
LED Specification	Cree XP E2
Luminous Intensity	40 LUX
Voltage	6v~48v
Waterproof	IPX5
Material	ABS
Weight	95g
Dimension	55*89*113 mm
wire length	1/1.2/2m





### Product Features

- Germany StVZO approval, E-mark
- Cree Led with anti-glare design
- Build-in Sate-lite reflector
- Ultra-small and lightweight

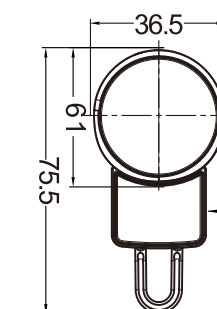
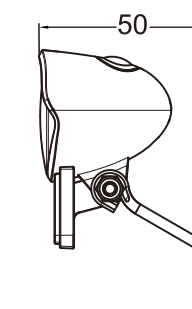
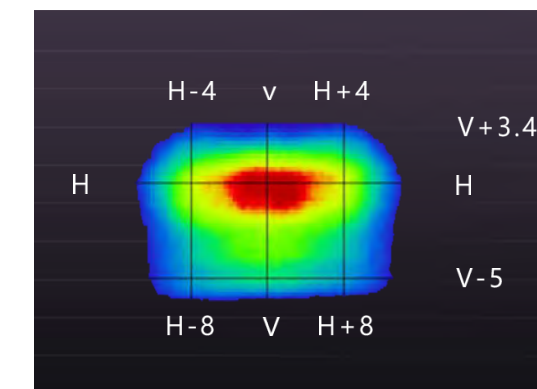


C2



### Product Specification

Model Number	C2
Certification	StVZO, ECE, CE and Rohs
Power Supply	Dynamo bottle/Hub dynamo/ebike/escooter
Visibility	35m
LED Specification	Cree XPC
Luminous Intensity	15 LUX
Voltage	6v~48v
Waterproof	IPX4
Material	ABS +PMMA
Weight	35g
Dimension	36.5*50*75.5mm
wire length	1/1.2/2m



⊗ = ON  
 ○ = OFF  
 ~ Active Luminous LED  
 □ Passive Light Reflector



### Product Features

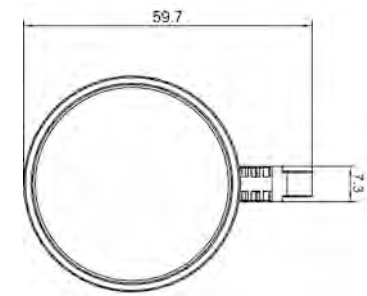
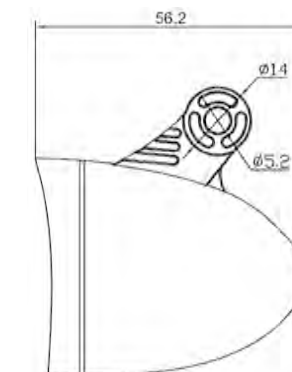
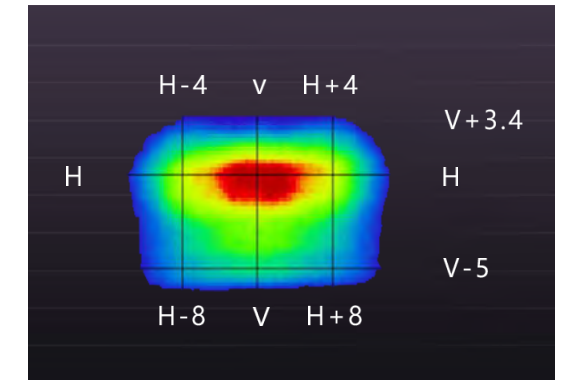
- Meet ISO6742-1 standards
- Lightweight

C3



### Product Specification

Model Number	C3
Certification	ISO6742-1
Power Supply	Dynamo bottle/Hub dynamo/ebike
Power	0.8W
Visibility	150m
LED Model	XPE2
Luminous Intensity	15 LUX
Voltage	6v~48v
Material	ABS, PMMA, Stainless Steel
Weight	33g
Dimension	45*59*59mm
wire length	1/1.2/2m
Can match the bracket model	C2-88-SP
Install tools	2.5mm triangle wrench
Optional port	110/SM
Can be connected to the tail light	N





### Product Features

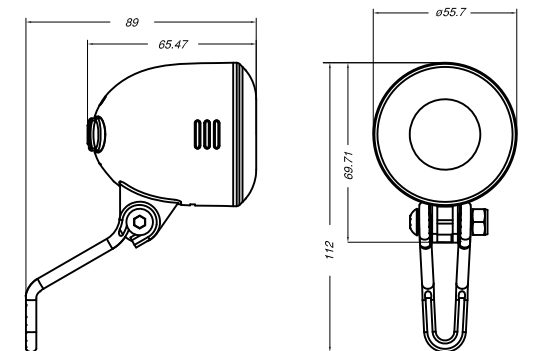
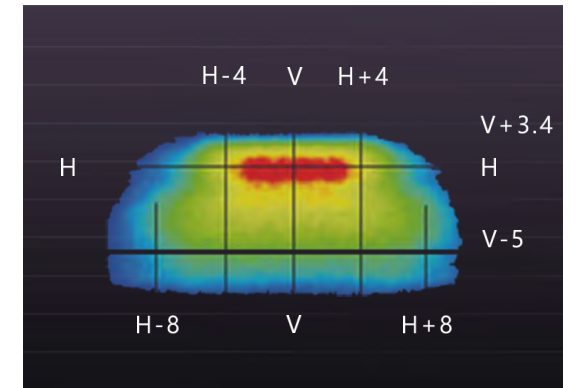
- Meet CE, Rohs standards
- Cree Led
- 6V-48V wide voltage
- Two option mount

C4



### Product Specification

Model Number	C4
Certification	CE, RoHS
Power Supply	Dynamo bottle/Hub dynamo/ebike/escooter
Power	1.2W
Visibility	150m
LED Model	XPE2
Luminous Intensity	40 LUX
Waterproof	IPX5
Voltage	6v~48v
Material	ABS, PMMA, Stainless Steel, Alloy
Weight	70g
Dimension	112*89*55.7mm
wire length	1/1.2/2m
Install tools	4mm triangle wrench
Optional port	110/SM
Can be connected to the tail light	Y
Can match the bracket model	N





### Product Features

- Germany StVZO approval
- Matrix optic design 70lux
- Powered by 6 leds
- Side light
- Close range zone design

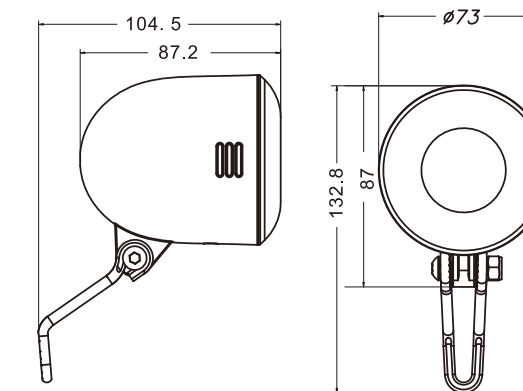
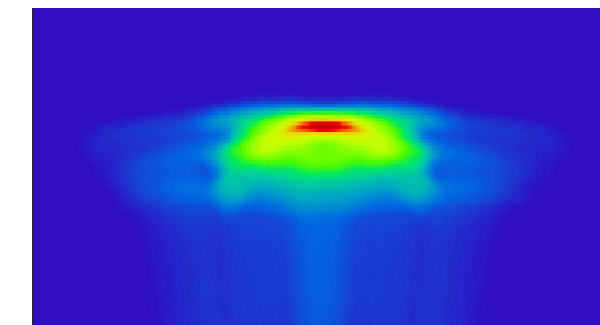


C5



### Product Specification

Model Number	C5
Certification	StVZO, CE, RoHS
Power Supply	Dynamo bottle/Hub dynamo/ebike/escooter
Power	4W
Visibility	150m
LED Model	6 LED
Luminous Intensity	70 LUX
Waterproof	IPX5
Voltage	12v~48v
Material	PMMA, ABS
Weight	135g
Dimension	104.5*132.8*73mm
wire length	1/1.2/2m





### Product Features

- Germany StVZO approval, E-mark
- Cree Led with anti-glare design
- Build-in Sate-lite reflector
- Most Cost-effective

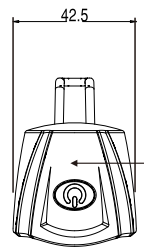
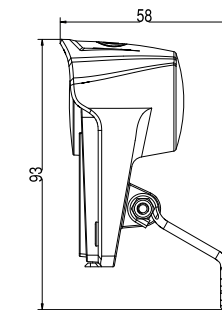
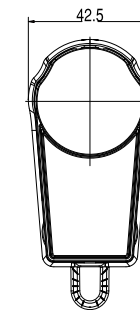
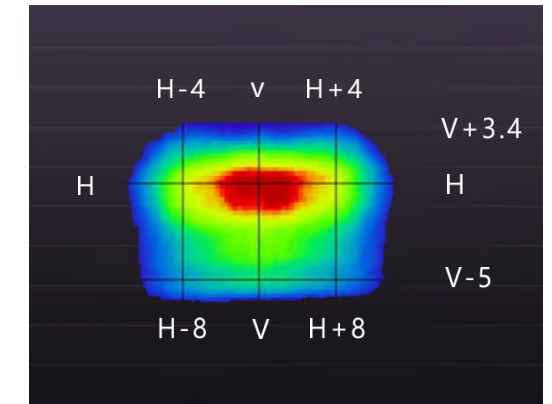


G1



### Product Specification

Model Number	G1
Certification	StVZO, ECE, CE and Rohs
Power Supply	Dynamo bottle/Hub dynamo/ebike/escooter
Visibility	35m
LED Model	Misc./ Cree XPC
Luminous Intensity	15 LUX
Waterproof	IPX4
Power	1.1w
Voltage	6v~48v
Material	ABS, PMMA, Stainless Steel
Weight	48g
Dimension	42.5*58*93mm
wire length	1/1.2/2m
Install tool	2.5mm triangle wrench
Optional port	110/SM
Can be connected to the tail light	Y
Can match the bracket model	N







## Product Features

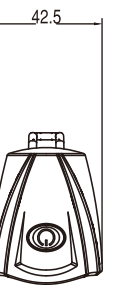
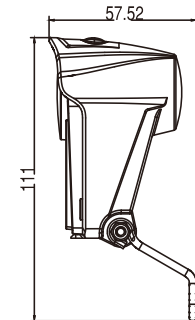
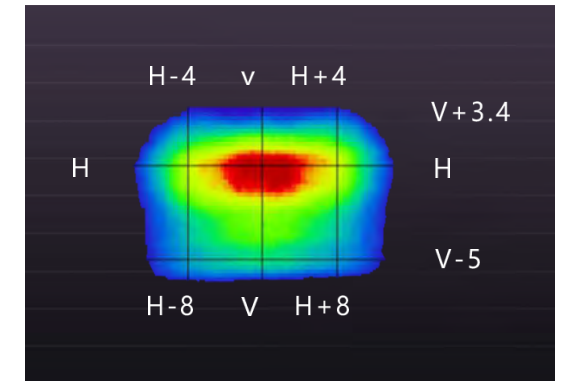
- Build-in Sate-lite reflector
- Powered by AA battery
- Most cost-effective

# G1B



## Product Specification

Model Number	G1B
Certification	CE, RoHS
Visibility	35m
Duration time	3h/9h
LED Model	Cree XPC
Luminous Intensity	15 LUX
Waterproof	IPX4
Batteries	2*AA 1.5v Zn-Mn
Power	2w
Material	ABS, PMMA, Stainless Steel
Weight	95g
Dimension	42.5*58*111mm
wire length	1/1.2/2m
Install tool	2.5mm triangle wrench
Can match the bracket model	N





## Product Features

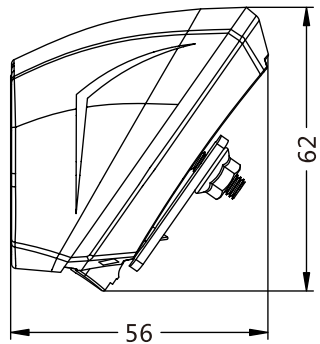
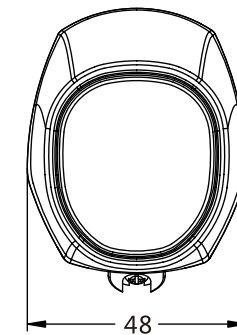
- Automatic ON/OFF, light/shock sensor build-in
- Natural daylight charging
- Build-in Sate-lite reflector

# SOLAR1



## Product Specification

Model Number	SOLAR1
Certification	CE, RoHS
Viewing angle	320°
Duration time	6h
Recharge	Nature day light
Waterproof	IPX4
Batteries	Gp40BVH
Material	ABS, PMMA
Weight	67g
Dimension	42.5*58*111mm





## Product Features

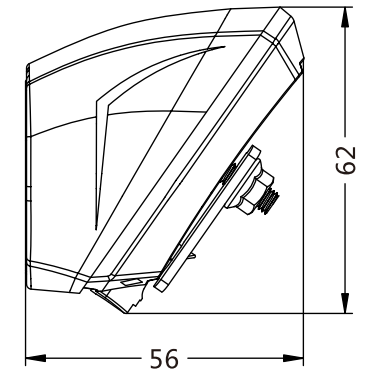
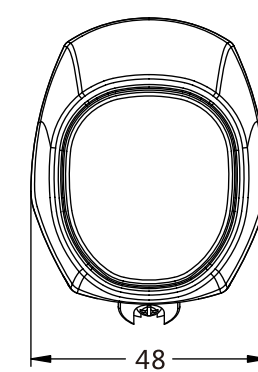
- Automatic ON/OFF, light/shock sensor build-in
- Natural daylight charging
- Build-in Sate-lite reflector

# SOLAR1-W



## Product Specification

Model Number	Solar1-W
Certification	BS, ISO, AS, GB
Life time	10h
Visible distance	200m
Viewing angle	320°
LED Model	RED Led*2
Battery (solar panels)	40mAh
the number of specifications	
Switch function options	Auto flash
Back cover options and installation pitch	Mudguard/ seatpost saddle / seat stay
Power	/
Material	ABS, PMMA
Weight	59g
Dimension	62*56*48mm
Install tool	8mm hex wrench





## Product Features

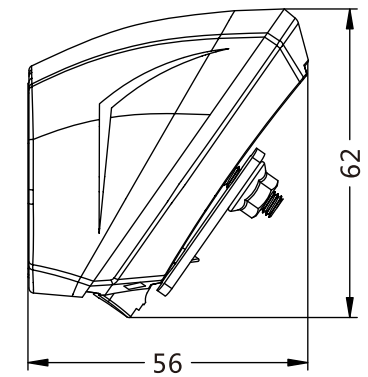
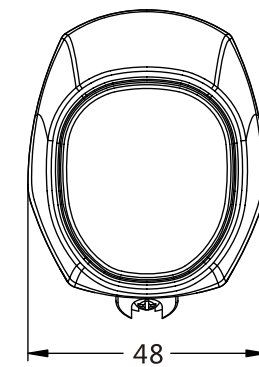
- German standard complied
- Automatic ON/OFF, light/shock sensor build-in
- Natural daylight charging
- Build-in Sate-lite reflector

# SOLAR1-K



## Product Specification

Model Number	Solar1-K
Bike light certification	ISO6742-1
Reflector certification	ISO6742-2
Visible distance	500m
Viewing angle	320°
LED Model	1* Cree CIM2D
Battery (solar panels)	110mA Nih battery
the number of specifications	
Switch function options	Auto on
Back cover options and installation pitch	Mudguard/ seatpost saddle / seat stay
Power	110mAh
Material	ABS, PMMA
Weight	59g
Dimension	62*56*48mm
Install tool	8mm hex wrench

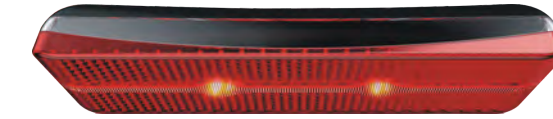




### Product Features

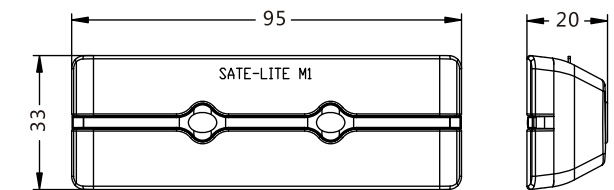
- Germany StVZO approval, E-mark, Z-mark
- Light line optic design, 220 degree visibility
- Powered by 2 leds
- Build-in Sate-lite reflector

M1

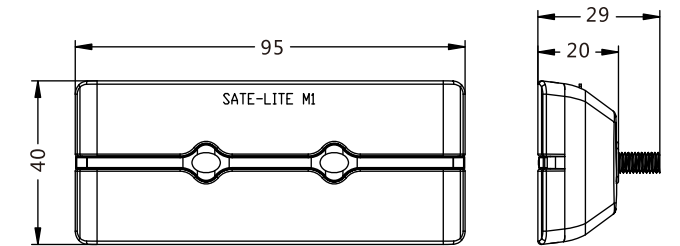


### Product Specification

Model Number	M1
Bike light certification	StVZO, ECE, CE and Rohs
Reflector certification	Z, StVZO, ECE, Homologation
Power Supply	Dynamo bottle/Hub dynamo/ebike
Waterproof rating	IPX-5
Viewing angle	220°
LED Model	Cree LED
Back cover options and installation pitch	50mm/80mm
Voltage	6V~48V
Power	0.5W
Material	ABS, PMMA
Weight	34g
Line length	1/1.2/2 m
Dimension	95x33x20 mm
Install tool	No



M1 (Standard version)



M1W (Wide version)



### Product Features

- Germany StVZO approval, E-mark, Z-mark, TPR
- Light line optic design, 220 degree visibility
- Curve surface design

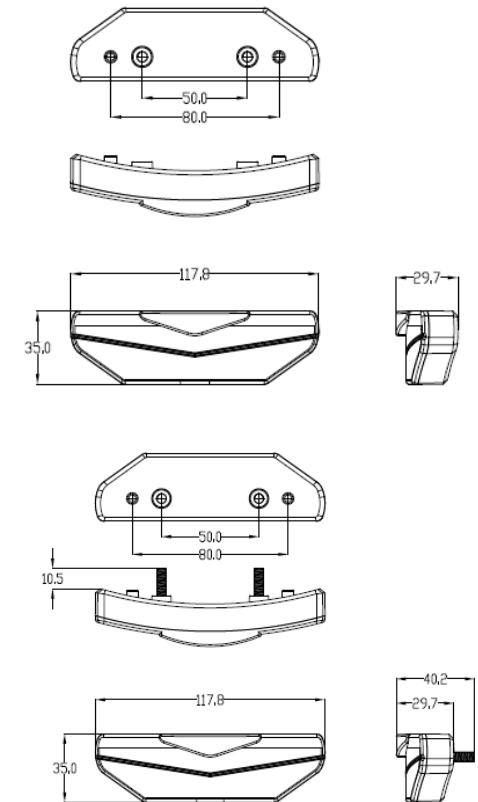


M2



### Product Specification

Model Number	M2
Bike light certification	StVZO, CE, RoHS, ECE, TP RBi
Reflector certification	Z, ECE, Homologation under application
Power Supply	Dynamo bottle/Hub dynamo/ebike
Waterproof rating	IPX-4
Viewing angle	220°
LED Model	Cree CIM2B-REW
Back cover options and installation pitch	50mm/80mm
Voltage	6V~48V
Power	0.4W
Material	ABS, PMMA
Weight	32g
Line length	1/1.2/2 m
Dimension	118x35x30 mm
Install tool	No





## Product Features

- Germany StVZO approval, E-mark, Z-mark
- Light line optic design, 220 degree visibility
- Build-in Sate-lite reflector

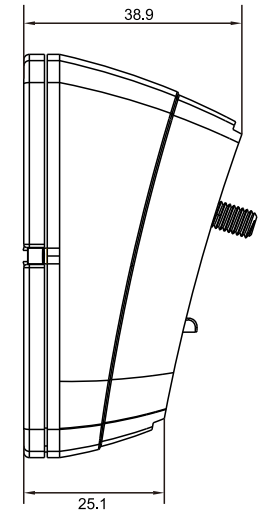
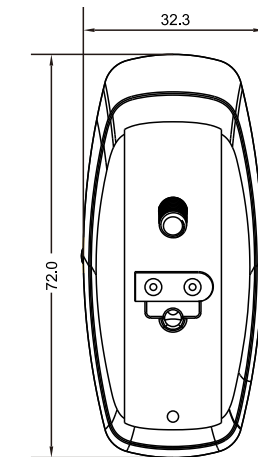


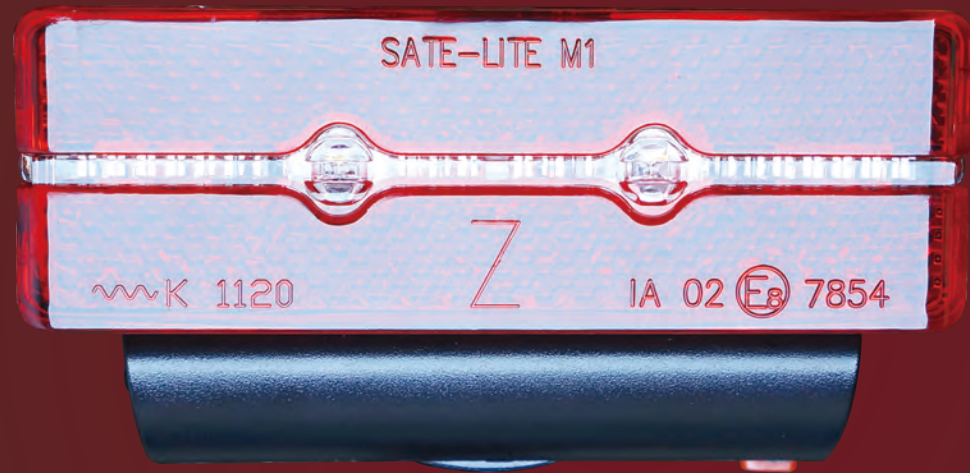
# M3



## Product Specification

Model Number	M3
Bike light certification	StVZO, CE, RoHS
Reflector certification	StVZO, Z, ECE
Power Supply	Dynamo bottle/Hub dynamo/ebike/escooter
Waterproof rating	IPX-4
Viewing angle	220°
LED Model	Cree CIM2D-RRC
Luminous Intensity	45lm
Visible distance	600m
Voltage	6V~48V
Power	0.4W
Material	ABS, PMMA
Weight	30g
Line length	1/1.2/2 m
Dimension	72*32*38.9 mm
Back cover options and installation pitch	Mudguard/ Seatpost/ Saddle
Optional port	110/sm
Install tool	8mm hex wrenchh





### Product Features

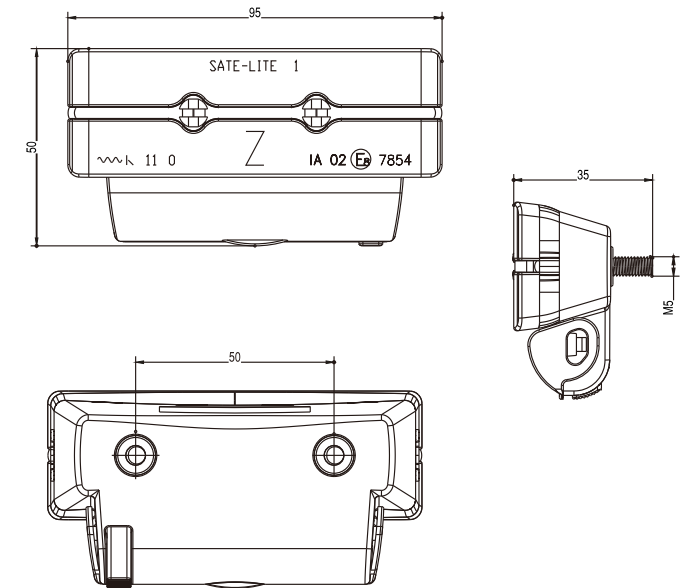
- Build-in Sate-lite reflector
- Powered by AA battery
- Most cost-effective

# M1B



### Product Specification

Model Number	M1B
Bike light certification	CE, RoHS
Reflector certification	StVZO, ECE, Homologation
Waterproof rating	IPX-4
Viewing angle	220°
LED Model	2*50mA Cree
Battery	1*AA
Width	33mm
Luminous Intensity	90lm
Switch function options	on/ flash/ auto/ off
Back cover options and installation pitch	50mm Carrier/ Seatpost/ Saddle
Life time	5h/12h
Material	ABS, PMMA
Weight	66g
Dimension	95x50x35 mm
Install tool	No





# CUTTING-EDGE OPTICAL COMPONENTS



DESIGNED BY SATE-LITE



## WATERPROOF TESTING